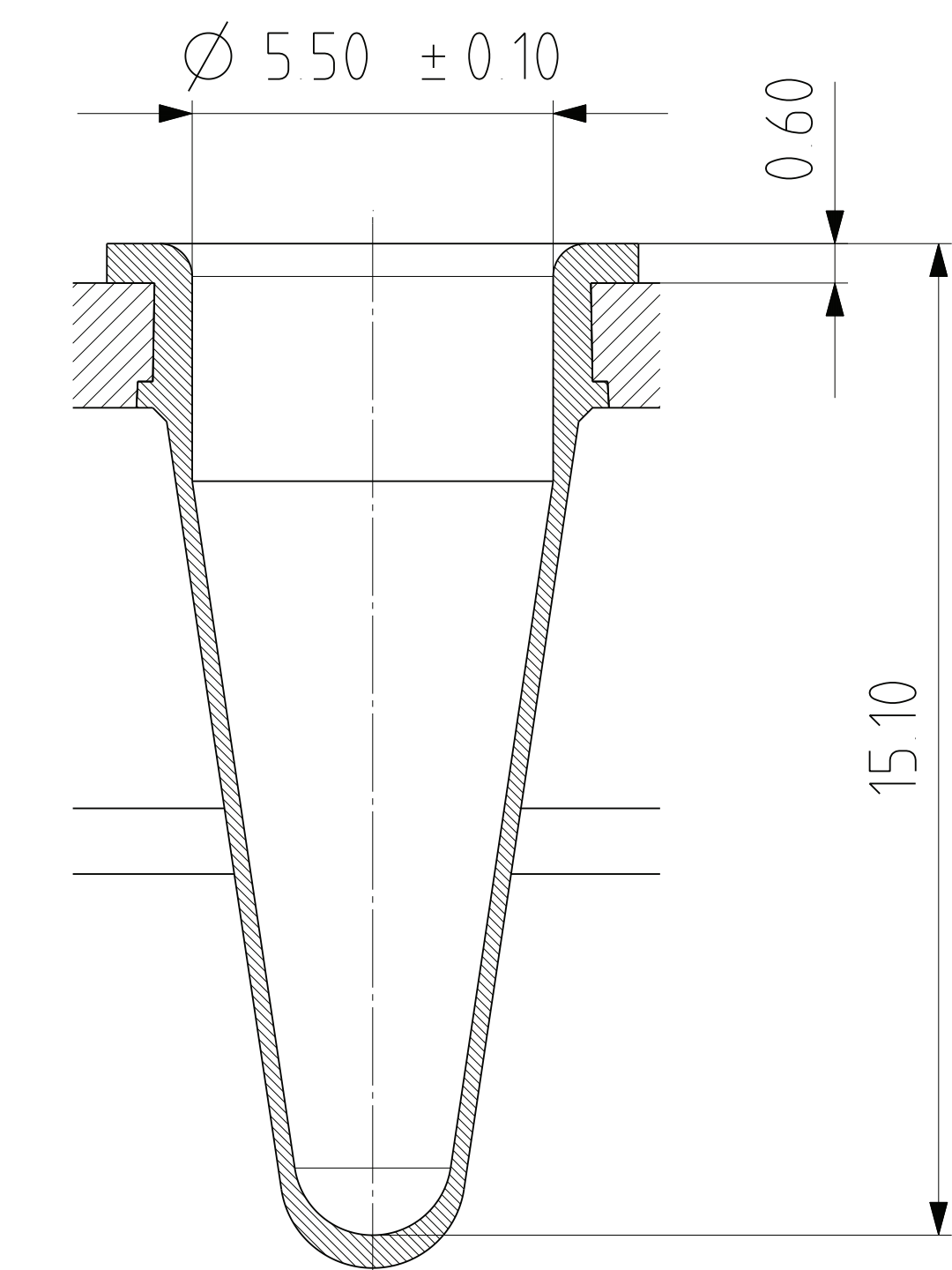


SECTION A-A



VIAL FORM 96pos
SCALE 10:1