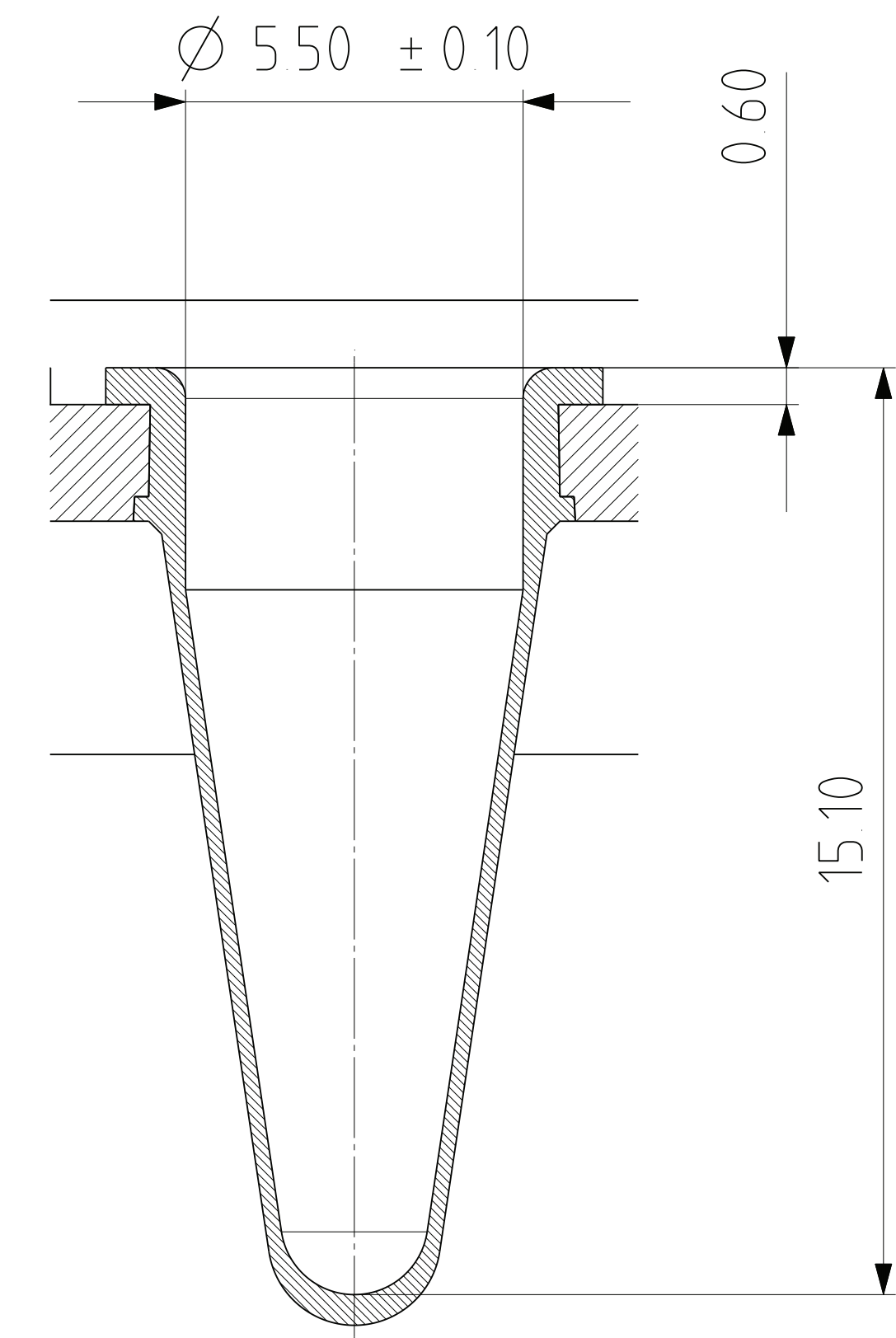


SECTION A-A



VIAL FORM 96pos.

SCALE 10:1