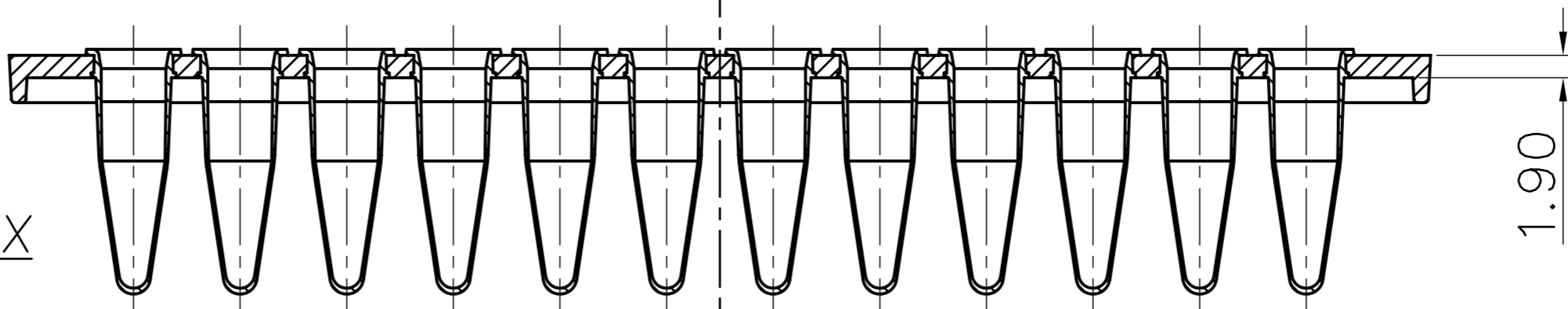


SECTION X-X



VIAL FORM 96pos