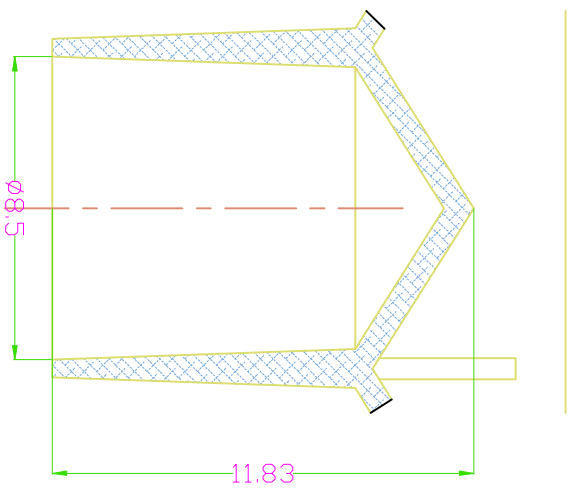


SECTION D-D



DETAIL E  
SCALE 1/5